



# Self Contained Compactors



## Features

- Sizes: 35YD, 30YD, and 20YD (Custom sizes available)
- Reduce volume and save with a Roll Offs USA stationary compactor.
- Comes with state of the art power units manufactured in house
- Cross members 4" channel
- Wall post ¼"
- Top plate 10 ga
- Walls ¼"
- Floor ½"
- Ram construction ¼"
- Ram floor & face ½"

## Electrical and Hydraulic Specs

- 10 hp (208/240/480 V) 3 phase electric motor
- 11 gpm hydraulic pump
- 25 gallon hydraulic tank

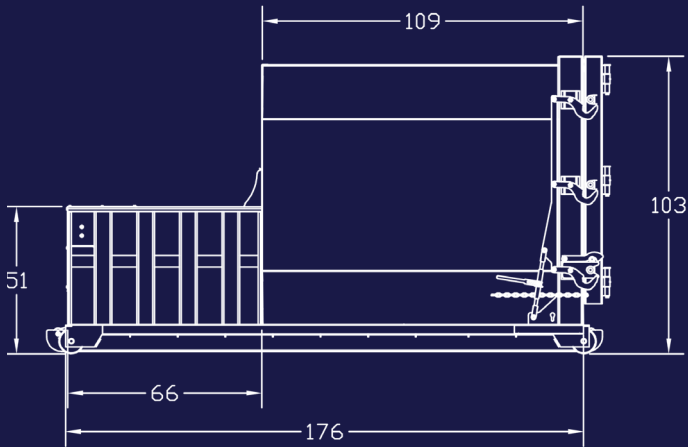
## Options

- Single phase power unit
- Smartpack monitoring system
- Remote pendant controls
- Keyless operating pad
- Multiple hopper options/styles available

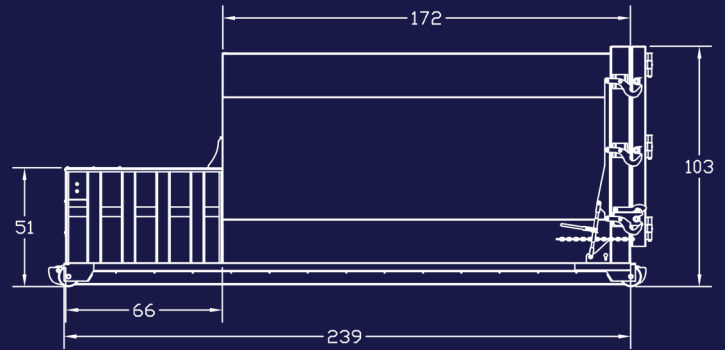




## 20YD SELF CONTAINED COMPACTOR



## 30YD SELF CONTAINED COMPACTOR



## 35YD SELF CONTAINED COMPACTOR

